



Lift versions
Installation manual

Contents

1. Introduction	3
Safety recommendations	3
Introduction of the various models	3
Required tools and accessories	4
Special installation conditions	4
2. Installation	5
Introduction	5
Setting up the platform scale	5
Platform scale alone	5
Connecting the connection cable to the indicator	6
Glands	6
Access to connection box	7
Cabling	8
Remounting	8
Ramp	9
3. Lifting the scale and putting it back to horizontal	10
Lifting	10
Putting the scale back to horizontal	10
4. Cleaning and maintenance	11
General recommendations	11
Daily cleaning	11
Weekly cleaning	11
Maintenance	12

■ Safety recommendations



The R4 LPW lift platform scale has moving parts that can represent a potential hazard when handling them. The safety recommendations presented below must be strictly observed.

- Do not stay under the platform scale when it is lifted.
- Handle the platform scale only using front handles. Do not put your fingers into the interstices.
- Make sure that no object is put onto the platform scale.
- Forbid all access to any other person than the operator on and near the platform scale during lifting operations.

■ Introduction of the various models

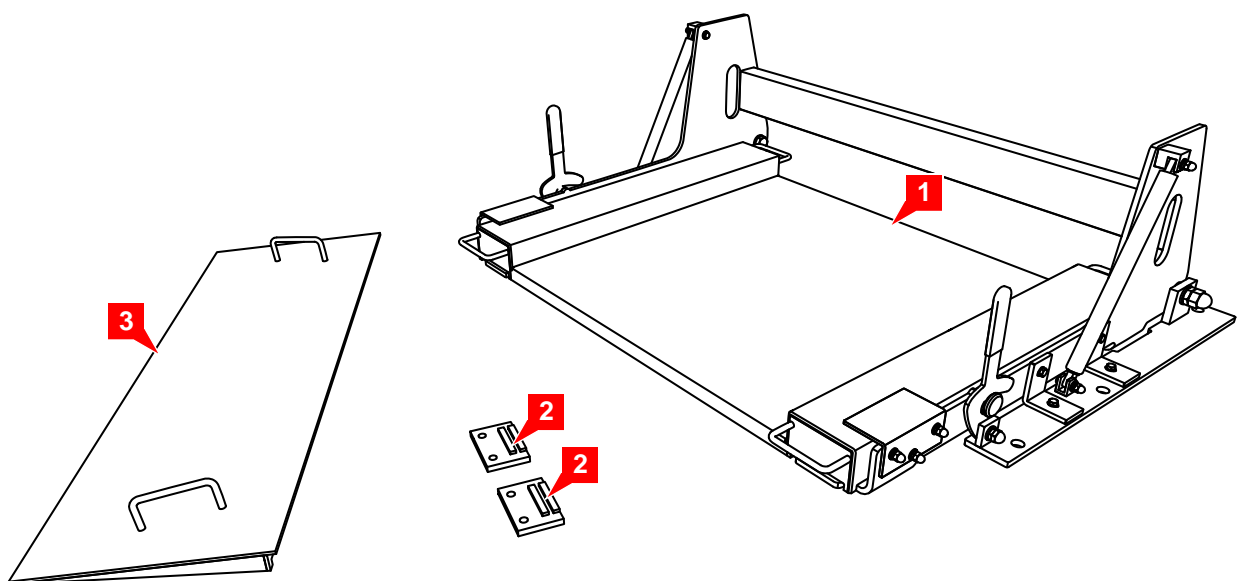
This manual introduces the various installation possibilities for all R4 LWP lift platform scale models. The models are:

- 800 x 800 mm,
- 1 000 x 800 mm,
- 1 250 x 1 000 mm,
- 1 500 x 1 500 mm.

The R4 LWP lift platform scale is delivered mounted and in closed position (1).

In the case of the access ramp option, the platform scale comes with:

- 2 plates (2),
- one access ramp (3).



Required tools and accessories

Setting up the platform scale implies using an elevation means and the slings corresponding to a maximum load of:

<i>Models</i>	<i>Maximum load</i>	<i>Models</i>	<i>Maximum load</i>
800 x 800 mm	113 kg	1 250 x 1 000 mm	203 kg
1 000 x 800 mm	133 kg	1 500 x 1 500 mm	296 kg

The installation only requires standard electromechanics tooling.

The required fastening for in-ground fixing is not supplied. It is recommended to use "SPIT" type dowels with screws and washers:

- 6 M16 x 120 parts for the platform scale (holes Ø 20)
- 4 M8 parts for the access ramp as option (holes Ø 12).

For the implementation procedure, please see the used dowel manual.



Caution with all handling operations. Strictly observe the elementary safety rules that relate to the used elevation means.

Special installation conditions



The R4 LPW lift platform scale must be installed on a perfectly flat surface. The adjustment of horizontality must be done in factory.

Introduction

The receptor and/or ramps can be handled using the handling device and adapted slings or by several people. The front handles (1) and the rear openings (2) are used as lifting points.

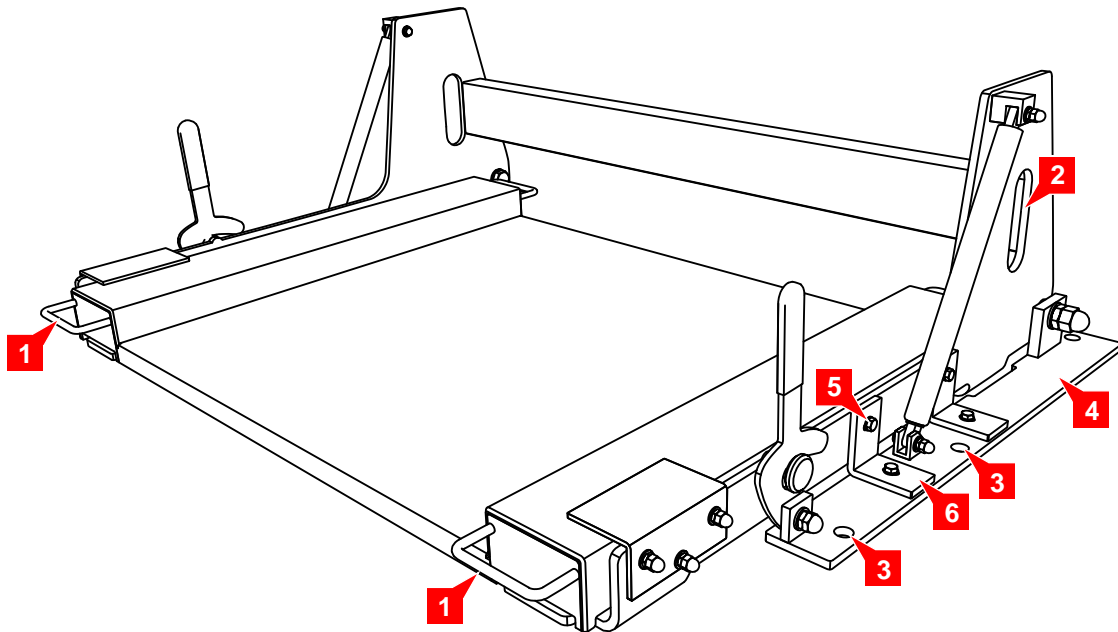


Caution with injury hazards when handling the platform scale and/or access ramps.

Setting up the platform scale

Platform scale alone

- Setting the platform scale on the ground at the wished location. As much as possible, plan to have sufficient space around the receptor so as to ease cleaning operations.
- On each side of the platform scale, drill the 3 holes* to fix the whole set in the ground through the orifices specially designed for this (3) on the lift plates (4).
- Fasten the 6 screw/washer fixing sets.
- Unscrew the 2 screw/washer sets (5) of each of the 4 transport brackets (6) and withdraw the brackets.



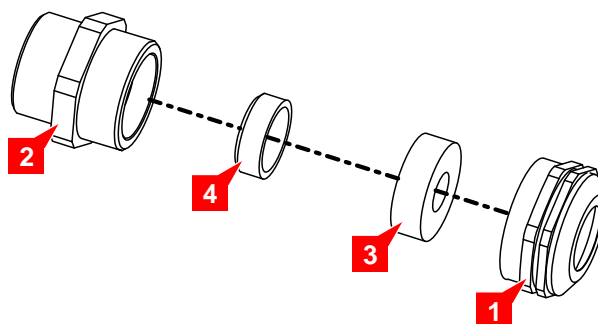
* Fastenings not supplied. SPIT dowels with M16 x 120 screws and washers recommended.

■ Connecting the connection cable to the indicator

■ Glands

To pass the measurement cable through the gland, the procedure is as follows.

- Unfasten the gland (1) and remove it from the flange (2). Retrieve the waterproof sealing (3) and the ring (4).
- Pass the cable successively through the gland (1), the joint (3), the ring (4) and the flange (2).
- Remount the whole set and moderately fasten the gland so as to let the cable free. The final fastening will have to be done when the cabling procedure is totally finished.



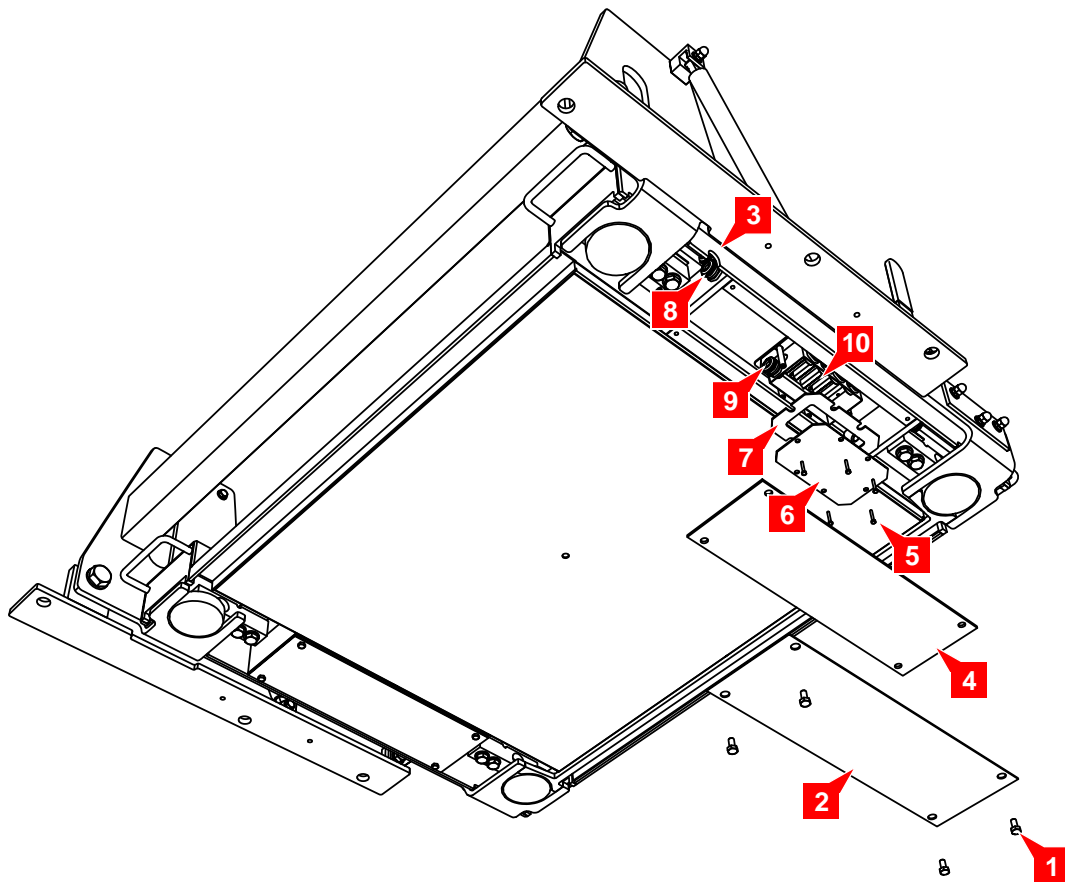
Access to connection box

- Lift the platform scale (See Lifting, page 11)
- Unscrew the 8 fixing screws (1) of the lateral protection sheet (2) on the deck notch side (3). Be cautious with the waterproof seal (4).
- Unfasten the 6 fixing screws of the connection box (5) and remove the cover (6). Be cautious with the waterproof seal (7).



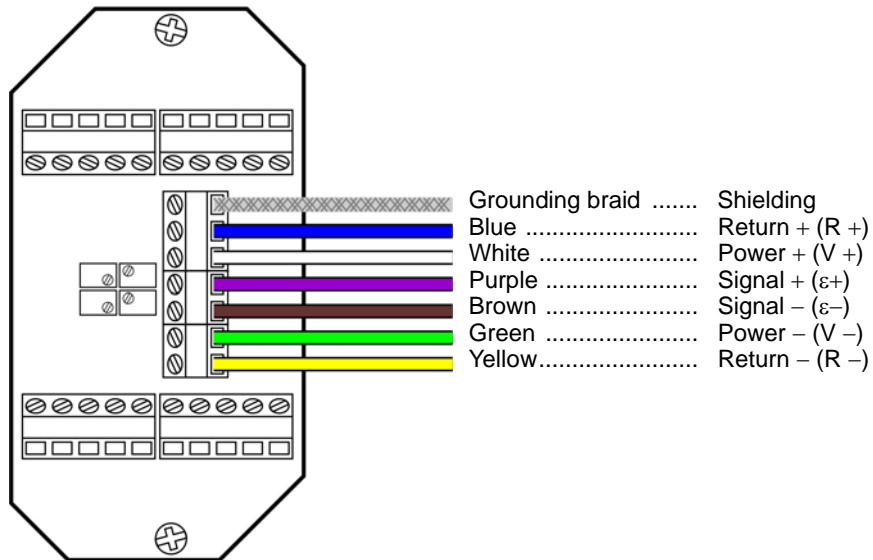
Be cautious with the waterproof seal.

- Pass the cable through the gland (8) located on the wall (9) between the connection box (10) and the load cell (11), then through the gland (12) located on the connection box.



Cabling

Proceed to the cabling* of the indicator cable respecting the pin-out indicated on the label stuck on the box cover.



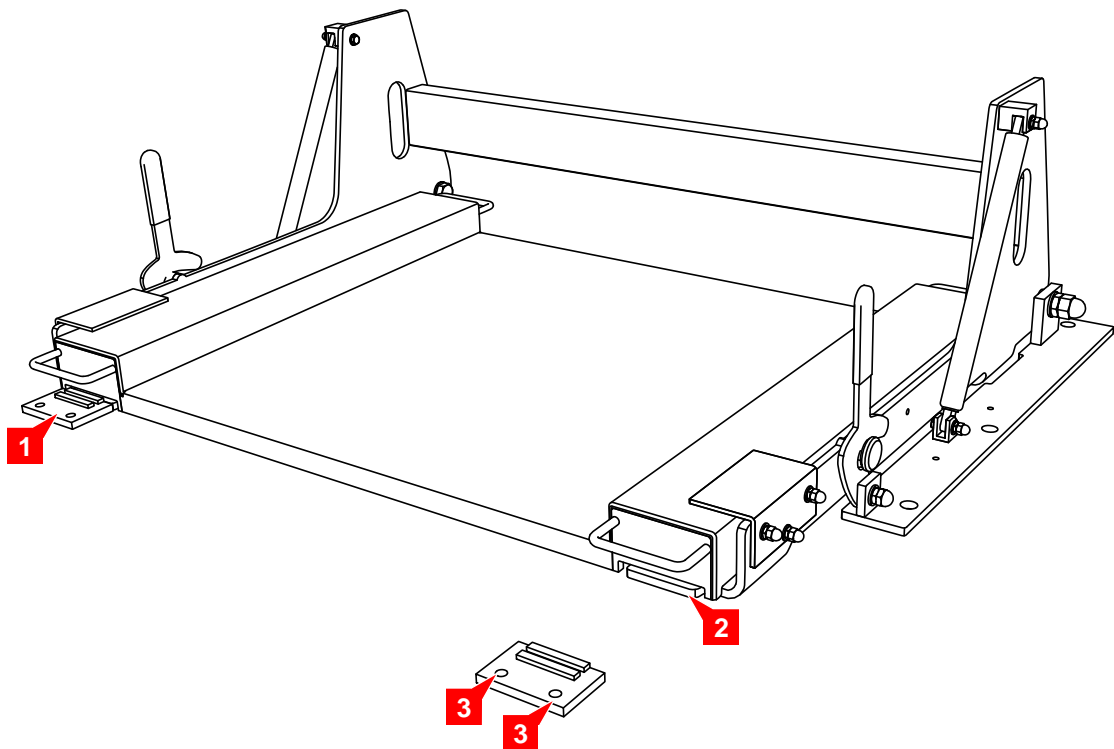
Remounting

- Remount the cover on the connection box.
- Fasten all the glands of the connection box to the indicator definitely.
- Remount the lateral protection sheet under the platform scale.
- Proceed to the putting back to horizontal of the platform scale (See "Putting back to horizontal", page 11).

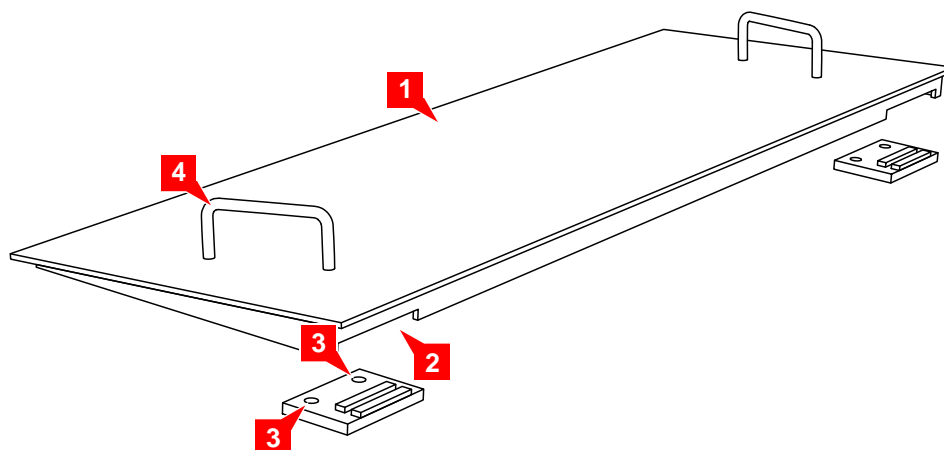
* It is possible to take apart and remove the connection electronics board to ease cabling.

Ramp

- Position both plates (1) aligned with the two lift plates (2) at about 5 mm of them.
- For each plate, drill the 2 holes* for the in-ground fixing through the orifices designed for this (3) on the plates (1).
- For each plate, fasten the 2 fixing screw/washer sets.



- Position the ramp (1) at the platform scale entry by matching the ramp sheet (2) with the two squares welded to the plates (3). For the handling of the ramp, use the handles (4).

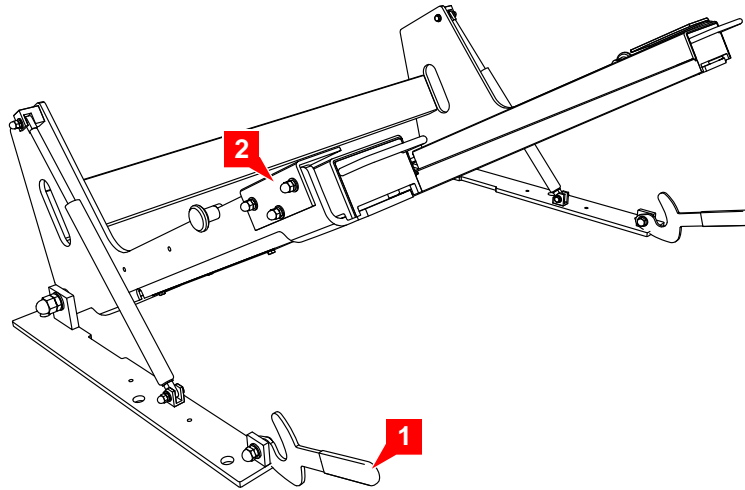


* Fastenings not supplied. SPIT dowels with M16 x 120 screws and washers recommended.

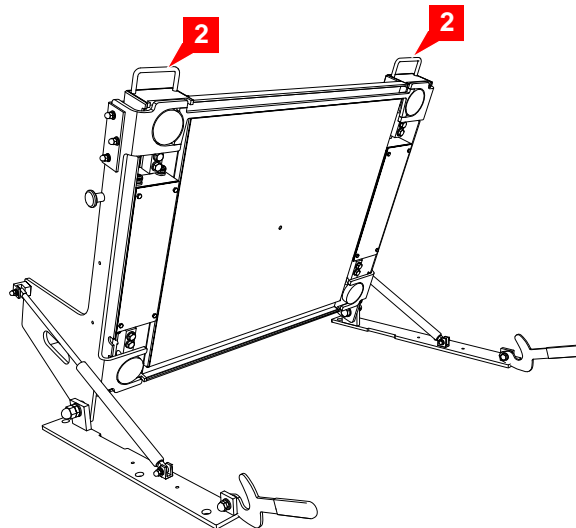
Lifting the scale and putting it back to horizontal **3**

Lifting

- Unfasten and remove the two blocking spanners (1) of the platform scale. The platform scale automatically lifts up of about 30°.



- To end the lifting, push the platform scale completely upward (at about 70°) using the two handles (2).



Putting the scale back to horizontal

- Take the platform scale down using the handles.
- When the resistance of cylinders is too strong, get onto the platform scale front part.
- Set up and completely fasten the blocking spanners.

Cleaning and maintenance **4**

■ General recommendations

We differ common daily cleaning and the complete cleaning that needs to be performed once a week. The type of cleaning depends on the use: dry cleaning in case of powdery products and with water in other cases.



The temperature of the water used during cleaning must not be over 60 °C.

■ Daily cleaning

- With the platform scale horizontal, clean all the elements of the platform scale that are accessible, insisting particularly on the areas that are harder to access, mainly the elements of the lifting parts.
- When doing this cleaning, cross the jets and make sure to push the water outside.
- Proceed to lifting the platform scale up (See "Lifting", page 11).
- Proceed to the same cleaning under the platform scale.
- Put the platform scale back to horizontal (See "Putting back to horizontal", page 11).

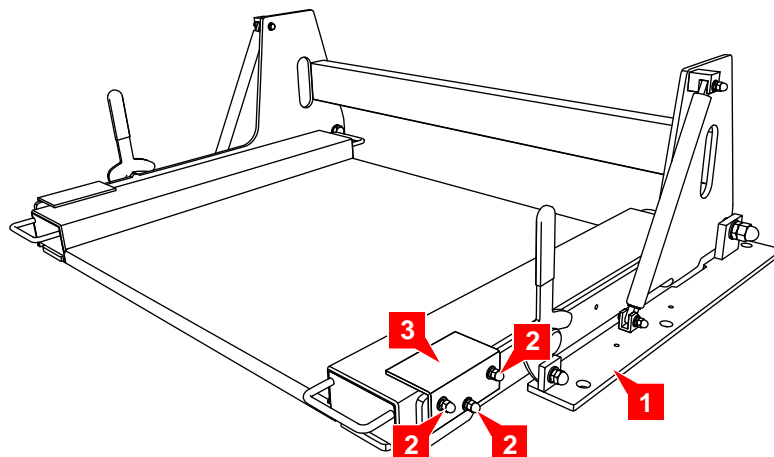
■ Weekly cleaning

The principle of the weekly cleaning is identical to the daily one, apart from the two following differences.

Platform scale horizontal

When the platform scale is horizontal:

- Make sure that the two blocking spanners (1) are well fastened.
- Unfasten the 2 fixing screws (2) of each of the 4 blocking spanners (3) and remove them.
- Proceed to the common cleaning of the upper part of the platform scale.
- Remount the 4 blocking spanners.



Platform scale lifted up

When the scale is up:

- Unscrew the 8 fixing screws (1) of each of the two lateral protection sheets (2). Be cautious with the waterproof sealing (4).
- Clean the totality of the underside of the platform scale, including the lateral compartments (4).

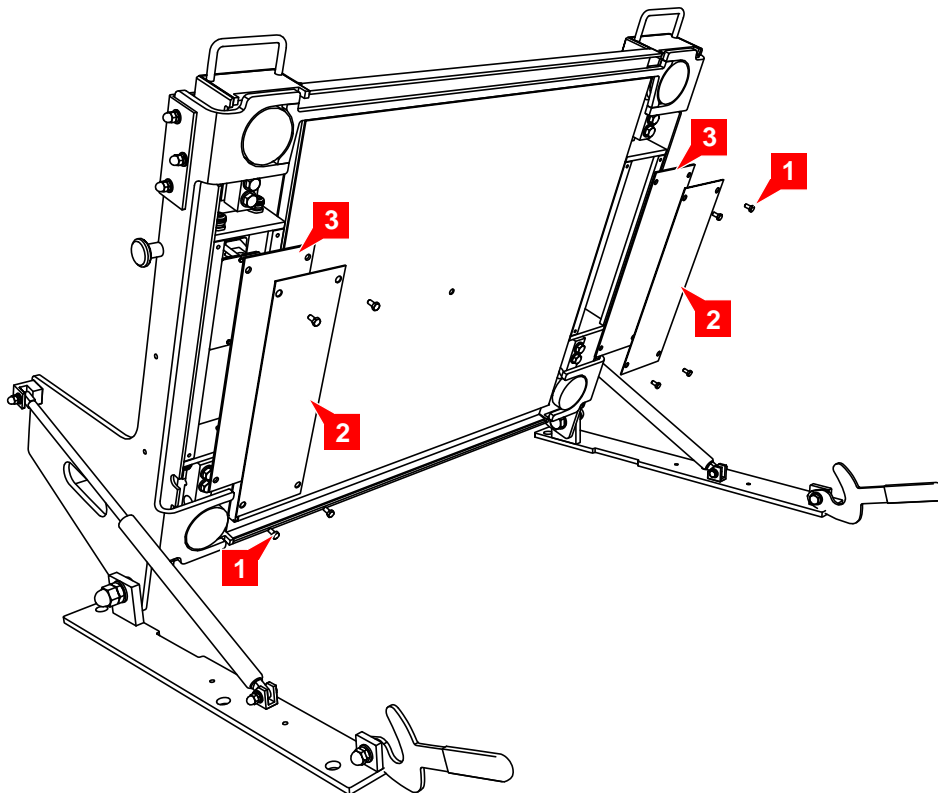


Do not use detergent so as not to damage the cylinders.



Leave the compartment insides to dry completely prior to remounting.

- Once the cleaning over, remount the lateral protection sheets and proceed to the closing of the platform scale (See "Lifting up", page 11).



Maintenance

- In cases where a greasing of cylinders is necessary, use H1 quality grease.

PRECIA-MOLEN Headquarters & Factory
BP 106 - 07000 Privas - France
Tel. 33 (0) 475 664 600
Fax 33 (0) 475 664 330
E-MAIL webmaster@preciamolen.com

RCS: 386 620 165 RCS Aubenas

**PRECIA
MOLEN™**
WORLDWIDE WEIGHING