

**PRECIA
MOLEN™**
WORLDWIDE WEIGHING



I5 INDICATOR

APPLICATION

The i5 indicator has been designed to meet all your requirements for so-called simple weighing applications and in harsh industrial environments (protection from dust and water projections in compliance with the IP66 index).

Priority has been given to the ease of use and installation. With the supplied accessories, mounting is fast on all PRECIA MOLEN platforms. Such accessories are also perfectly adapted to renewal operations.

FEATURES

In a compact format, the i5 indicator offers all expected basic applications from mere standard or animal weigh display to part counting.

Including unique functions such as:

- » the timed hold of a weigh result (HOLD),
 - » the automatic tare of the container,
 - » the automatic reset after each weigh,
- reduces the operator's tasks, thus improving their productivity.

The indicator has a standard serial link of RS 232 or USB type to combine with a printer or a PC. In option, a Bluetooth interface allows monitoring the indicator from your PC, smartphone or tablet and displaying weigh results as far as 100 metres.

METROLOGICAL CERTIFICATION

- » IPFNA 2009/23/CE Directive
- » Conformity
- » Low Voltage Directive 2006/95/CE
- » Electromagnetic Compatibility Directive 2004/108/CE

GENERAL DESCRIPTION

The i5 offers numerous advantages to integrate into your work environment. Its IP66 housing, in ABS for fast cleaning operations, is fitted with 4 non-skid feet for perfect stability on the work surface. Its reversible front panel and mounting accessories enable its installation in any kind of situation. It is equipped with a pressure balancing device that protects it from condensation and an elastomer seal that ensures sustainable optimal watertightness.

Its backlit capacitive touch screen (with technology identical to touch screens) and its thermoformed protection shell* limit weariness at most whilst allowing using work gloves. Its large sized display (height of digits: 33 mm) and its high contrast backlight offer perfect readability.

Its electronic design has been carefully crafted:

- » 32-bit microprocessor, the power of which enabling an acquisition speed of 100 measures/second, the management of a saved date and time function and the integration of a DSD** of 50 000 records,
- » analogue part compatible with an input division of 0.5 μ V,
- » integrated power block so that the fragile external power block becomes unnecessary.

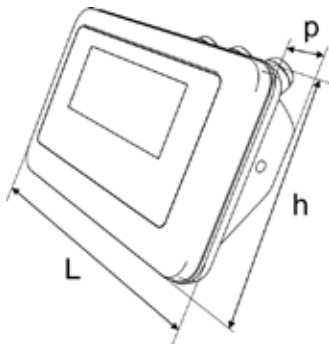
In option, an ion lithium battery with a load indicator makes it autonomous for an intense work day and yet available the day after thanks to its limited load time requirements.

I5 INDICATOR

TECHNICAL DATA

PHYSICAL FEATURES

» Dimensions (L x h x p) 202 x 122 x 92 mm



» Weight 800 g

POWER SUPPLY

» Mains supply:

- Voltage.....110-240 V
- Frequency.....50-60 Hz
- Consumption.....0.2 A

» Internal battery supply (option)

- Autonomy:
 - Backlighting off.....55 h
 - Maximal backlighting.....20 h
- Load time
 - From 0 to 100 %.....7 h
 - From 0 to 80 %.....4 h

ENVIRONMENT

- Operation.....- 10 °C / + 40 °C
- Storage.....- 20 °C / + 60

METROLOGY

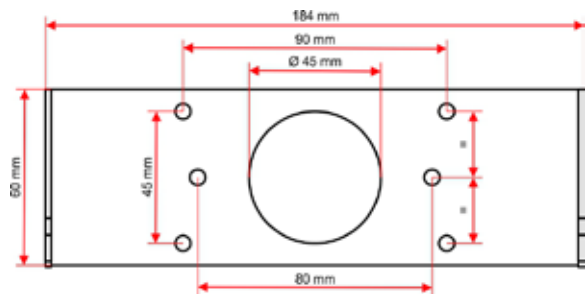
	ML	HML
• Class.....	III / IV	-
• Division (µV)	0.5	-
• Simple capacity.....	3 000	30 000
• Double capacity.....	2 x 3000	-
» Load cells		
• Power supply.....	5 V	
• RMin		87.5 Ω
• RMax		1 245 Ω

COMMUNICATION

» RS 232 or USB link

ACCESSORIES SUPPLIED

- Mains supply cable (3 m length)
- Universal support
- Protection shell



OPTIONS & ACCESSORIES

Front mounting kit



Column kit



Ion lithium battery



Bluetooth interface



WE MAKE IT EASY.

AUTOMATION OF THE WEIGHING CYCLE

Front mounting kit



HOLD function



Automatic tare



Weigh results

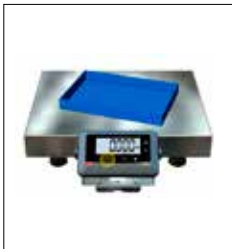


Automatic reset



COUNTING

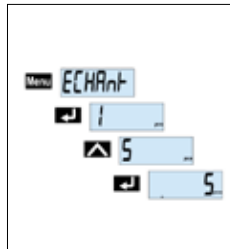
Container tare



Test parts



Sampling



Counting



BLUETOOTH INTERFACE (OPTION)



