



R4 LPW LIFT RANGE PLATFORM SCALES

APPLICATION

The R4 LPW platform scale is a low profile platform scale especially designed to weigh any type of travelling load. The height difference, 35 mm for the 800 x 800 and 1 000 x 800 models, and 45 mm for the 1 250 x 1 000 and 1 500 x 1 500 models, offers easy passage of any travelling equipment.

The R4 LPW range offers a wide array of models. Its design corresponding to the EHEDG norm is based on an entirely stainless steel (ASI 304) structure and load cells of a 0.8 µm roughness and meets all hygiene and cleanliness requirements.

The total lifting of the platform by one person* using 2 pneumatic jacks ensures easy and complete cleanliness with a high pressure water jet of the upper and lower parts of the platform.

EUROPEAN CONFORMITY

Compliant with the definition of a classical platform scale according to the WELMEC 2.4 guide.

AVAILABLE MODELS

Legal for trade

Dimensions	300kg / 100g	600kg / 200g	1 500kg / 500g
800 x 800	M	M	X
1 000 x 800	M	M	X
1 250 x 1 000	X	M	M
1 500 x 1 500	X	M	M

Non Trade

Dimensions	300kg / 100g	600kg / 200g	1 500kg / 500g
800 x 800	●	●	X
1 000 x 800	●	●	X
1 250 x 1 000	X	●	●
1 500 x 1 500	X	●	●

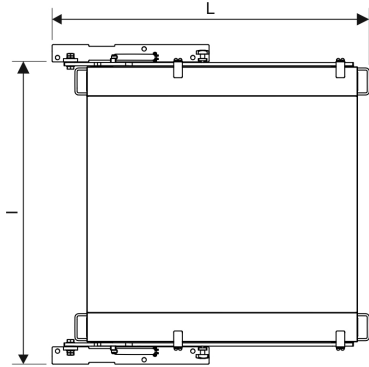
* Except 1500x1500 model (2 people).

R4 LPW LIFT RANGE PLATFORM SCALES

WE MAKE IT EASY.

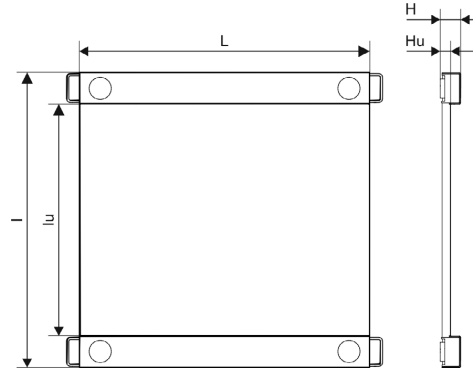
MECHANICAL CHARACTERISTICS

Platform with lifting system



	800 x 800	1 000 x 800	1 250 x 1 000	1 500 x 1 500	
L	1 015	1 215	1 465	1 715	mm
I	1 266	1 266	1 476	1 976	mm
Wt	113	113	203	296	kg

Platform only



	800 x 800	1 000 x 800	1 250 x 1 000	1 500 x 1 500	
L	800	1 000	1 250	1 500	mm
I	1 070	1 070	1 270	1 770	mm
ul	800	800	1 000	1 500	mm
H	88	88	88	88	mm
uh	35	35	45	45	mm
Wt	70	85	130	200	kg

METROLOGICAL CHARACTERISTICS

Model	Capacity (kg)	Scale division (g)	CSI load cell		Max. tare offset (kg)
			Vmin (g)	E _{max} (kg)	
800 x 800	300	100	25	300	0
	600	200	42	500	0
1 000 x 800	300	100	25	300	0
	600	200	42	500	0
1 250 x 1 000	600	200	42	500	0
	1 500	500	67	1 000	0
1 500 x 1 500	600	200	42	500	0
	1 500	500	67	1 000	0

OPTIONS & ACCESSORIES

Platform with lifting system

- Handles in option
- Longueur 375 mm (h = 35 mm)
Longueur 495 mm (h = 45 mm)

Other options

- Option

