

**PRECIA
MOLEN™**
WORLDWIDE WEIGHING



360M



3500C
4500C

PML 2000 LABORATORY SCALES

GENERAL PRESENTATION

Functionality, ergonomics and elegance, the PML 2000 range also offers an excellent display readability and a great ease of use.

This laboratory scale fits the following areas perfectly:

- » Input control,
- » Preparation for formulation,
- » Jewelry,
- » Dental prosthesis,
- » Chemistry,
- » etc...

It comes with the Automatic internal calibration function as standard.

FUNCTIONS

- » Weighing.
- » Counting.
- » Checkweighing.
- » Percentage weighing.
- » Dosing.
- » Voluminal mass calculation (density).
- » Animal weighing.
- » Unit conversion (Non-Trade Use only).
- » Statistics.
- » Peak/Hold.

Tare management

- Products 1000 recordings
- Tares 100 recordings
- Operators 100 recordings
- DSD 100 000 recordings

OTHER FUNCTIONS:

- Below scale weighing (hook)
- GLP Procedures
- Self test

Multilingual:

French, english, german, spanish, portuguese, polish, turkish, czech, italian and hungarian.

MAIN CHARACTERISTICS

- » Capacity
 - 4 models from 360g to 6kg.
- » Accuracy
 - from 0.001g to 0,1g
- » Display
 - Liquid crystal display (LCD) Back lit 18mm.
- » Plateau
 - Stainless steel from 128 x 128 to 195 x 195 mm.
- » Protection
 - IP 43
- » Communication interface:
 - 2 RS232 links as standard,
 - USB-A as standard,
 - USB-B as standard,
 - WIFI in option.

CE COMPLIANCE

- » Compliant with the European Directive for Electromagnetic Compatibility.
- » Compliant with the European Directive for Low Voltage Equipment.
- » Compliant with the European Directive for Non-Automatic Weighing Instruments.

PML 2000 RANGE LABORATORY SCALES

WE MAKE IT EASY.

TECHNICAL DATA

Physical Characteristics

- Mass 360M 3,7kg / 5,3kg
- Mass 3500C-4500C 4,5kg / 6kg

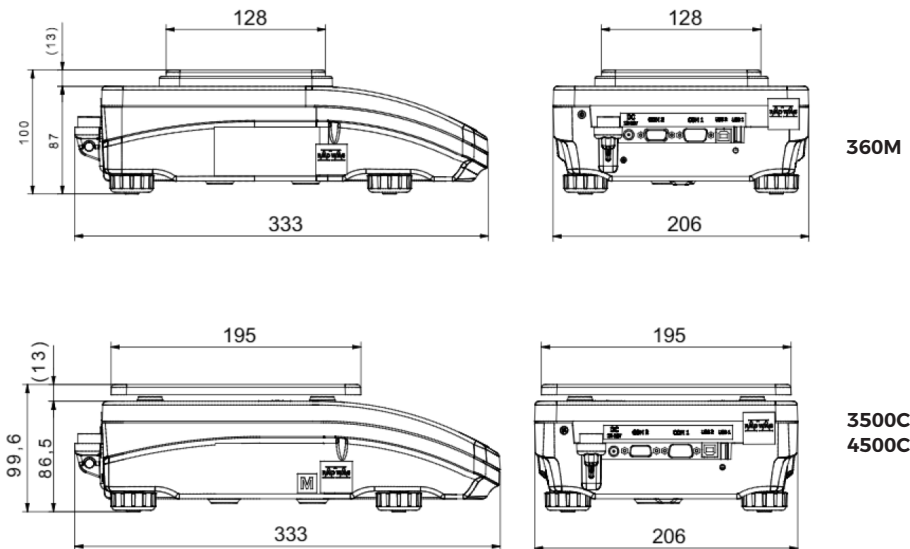
Operation

- Temperature range +10°C / + 40°C

Electrical Characteristics

- » Power supply
 - Mains voltage 100-240 V AC - 50/60 Hz
 - 2-16 V DC - 250* mA
 - Max consumption 4 W
- * 350 mA in WIFI mode

Dimensions(mm):



AVAILABLE MODELS

Models PML 2000	Capacity (g)	Accuracy (g)	Interval (g)	Measurement time (s)	Reability (g)	Linearity (g)	Platform (mm)
360M	360	0,001	0,1	2	0,001	0,002	128 x 128
3500C	3 500	0,01	0,01	1,5	0,01	0,02	195 x 195
4500C	4 500	0,01	0,01	1,5	0,01	0,02	195 x 195

OPTIONS & ACCESSORIES

TM 20 Thermal Printer



Battery 8h autonomy

- Charge time 5h



Protective cage



Protective cover

