

**PRECIA
MOLEN™**
WORLDWIDE WEIGHING



220MG



600M



3500C
6000C

PML 3000 LABORATORY SCALES

GENERAL PRESENTATION

Functionality, ergonomics and elegance, the PML 3000 range offers optimum comfort in use.

Its intuitive interface and its internal database management open the door to almost unlimited possibilities of cooperation with external devices.

Thanks to an in-built programmable infra-red sensor, a simple hand gesture triggers the automatic execution of the associated function.

It comes with the Automatic internal calibration as standard.

FUNCTIONS

- » Weighing.
- » Counting.
- » Checkweighing.
- » Percentage weighing.
- » Dosing.
- » Voluminal mass calculation (density).
- » Animal weighing.
- » Unit conversion (Non-Trade Use only).
- » Statistics.
- » Peak/Hold.

Tale management

- Products 5 000 recordings
- Customers 1 000 recordings
- Formulas 100 recordings
- Tares 100 recordings
- Operators 100 recordings
- DSD 512 000 recordings

OTHER FUNCTIONS:

- Below scale weighing (hook)
- GLP Procedures
- Self test

Multilingual:

French, english, spanish, german, italian, polish, russian, ukrainian, hungarian, czech, chinese, arabic, turkish and korean.

MAIN CHARACTERISTICS

- » Capacity
 - 5 models from 200g to 6kg.
- » Accuracy
 - from 0.0001g to 0,1g
- » Display
 - 5" color touchscreen.
- » Platform
 - Stainless steel from Ø 100 to 195 x 195 mm.
- » Protection
 - IP 43
- » Standard communication interface:
 - 2 RS232 links,
 - USB-A,
 - USB-B,
 - WIFI,
 - Ethernet.

CE COMPLIANCE

- » Compliant with the European Directive for Electromagnetic Compatibility.
- » Compliant with the European Directive for Low Voltage Equipment.
- » Compliant with the European Directive for Non-Automatic Weighing Instruments.

PML 3000 RANGE LABORATORY SCALES

WE MAKE IT EASY.

TECHNICAL DATA

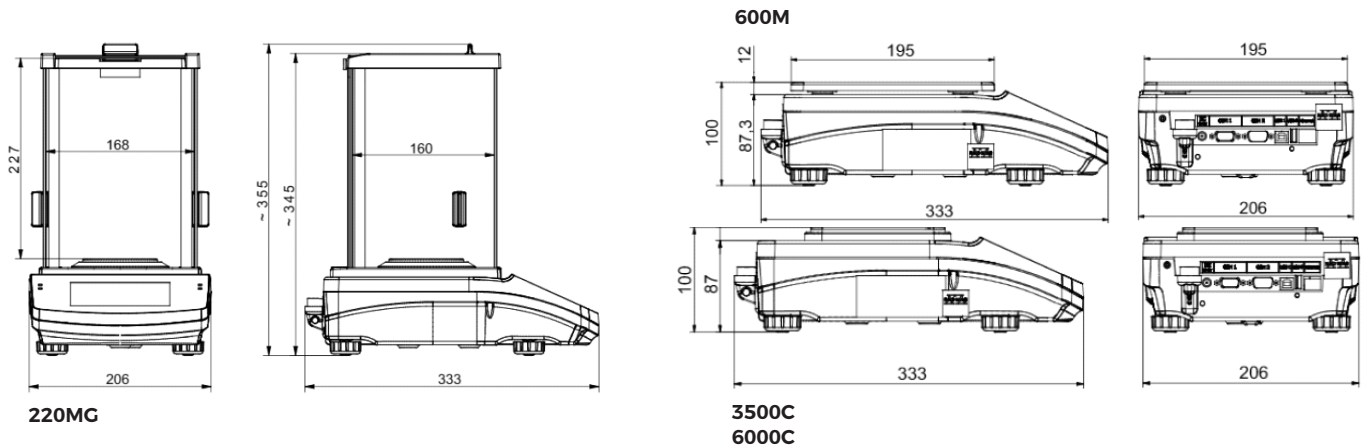
Physical Characteristics

- Mass 220MG 5,3kg / 7,3kg
- Mass 600M 3,9 kg / 5,5 kg
- Mass 3500C 4,5kg / 6kg
- Mass 6000C - 6001D 4,8kg / 6,4kg

Operation

- Temperature range +10°C / + 40°C

Dimensions(mm):



AVAILABLE MODELS

Models PML 3000	Capacity (g)	Accuracy (g)	Interval (g)	Measurement time (s)	Reability (g)	Linearity (g)	Platform (mm)
220MG	220	0,0001	0,001	3,5	0,0001	0,0002	Ø 100
600M	600	0,001	0,01	2	0,0015	0,003	128 x 128
3500C	3 500	0,01	0,1	1,5	0,01	0,02	195 x 195
6000C	6 000	0,01	0,1	1,5	0,015	0,03	195 x 195

OPTIONS & ACCESSORIES

TM 20 Thermal Printer



Battery 8h autonomy

- Charge time 5h



Protective cage



Protective cover



FLINTAB | Box 180 | 551 13 Jönköping | Besöksadress: Kabelvägen 4 | 553 02 Jönköping
Tel växel: 036-31 42 00 | info@flintab.se | www.flintab.se

Besök oss på LinkedIn



Bilder och illustrationer kan avvika från det faktiska utförandet. Flintab AB förbehåller sig rätten att när som helst ändra specifikationerna för den utrustning som beskrivs i denna broschyr.